

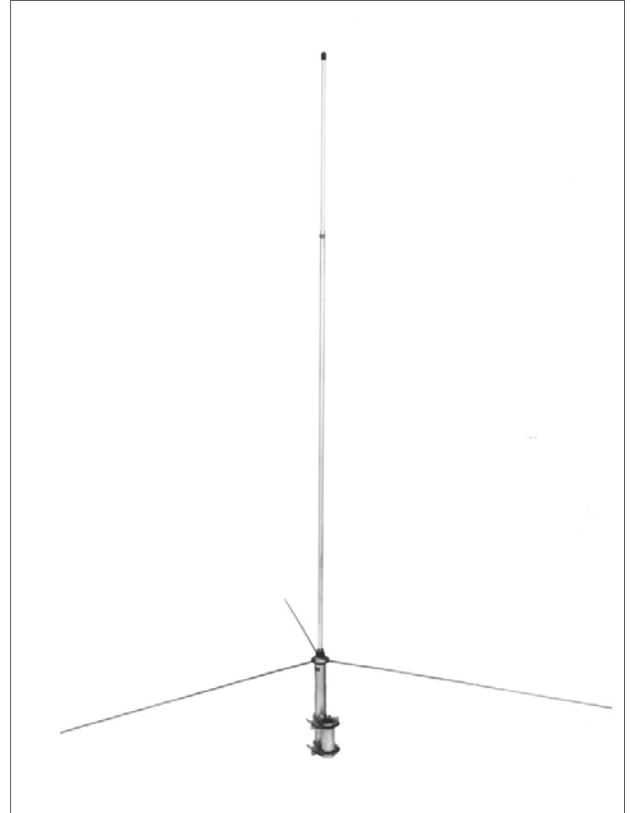
CFM-95SL



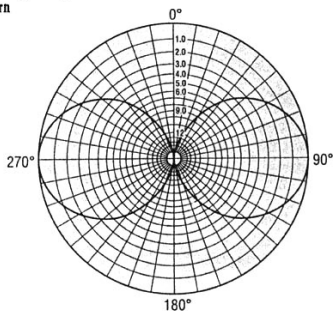
LPFM Base Station Antenna (tunable)

Specifications

- 88-108MHz (tunable)
- Band-width: 4MHz after tuning
(For example, tuned to 92MHz the CFM-95SL will have a band-width 90-94MHz)
- VSWR: Less than 1.5:1
- Gain: 3.4dBi
- Length: 5'6" - 7' 8" inches
- Weight:: 2lb 7ozs
- Max Power: 200 watts
- Max Wind Survival: 100MPH
- Wind Load: 25.75sq in (.179 sq ft)
- Mast Required: 1.25-2.5 inches
- Connector: Integral SO-239
- Telescoping aluminum tubing
- Extruded aluminum/stainless steel mounting hardware included



CFM-95SL
5/8wave ground plane elevation
pattern



Elevation pattern: This pattern represents the typical elevation pattern when the CFM-95SL is mounted in free space without interference from other metal objects. The horizontal line in the center represents the horizon with the antenna mounted vertically in the center.

The CFM-95SL radiates RF equally 360 degrees around the antenna.

FEATURES

- **Omni-directional pattern radiates the signal equally in all directions**
- **Heavy wall tubing survives 100MPH wind**
- **Two extruded aluminum mounting brackets, stainless steel U-bolts and hardware.**
- **Easily tuned, sliding element chart included.**



NCG Company 15036 Sierra Bonita Lane Chino, CA 91710
Phone: 800.962-2611 909-393-6133 Fax: 909-393-6136
email: micks@cometantenna.com