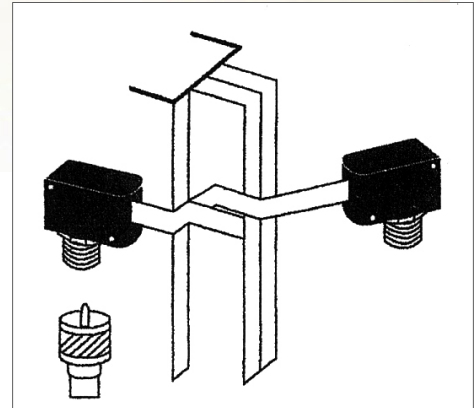
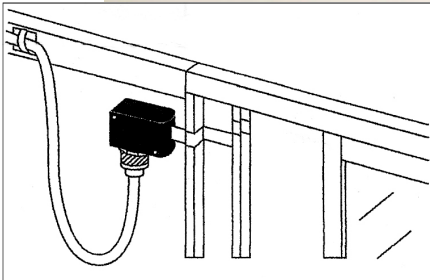
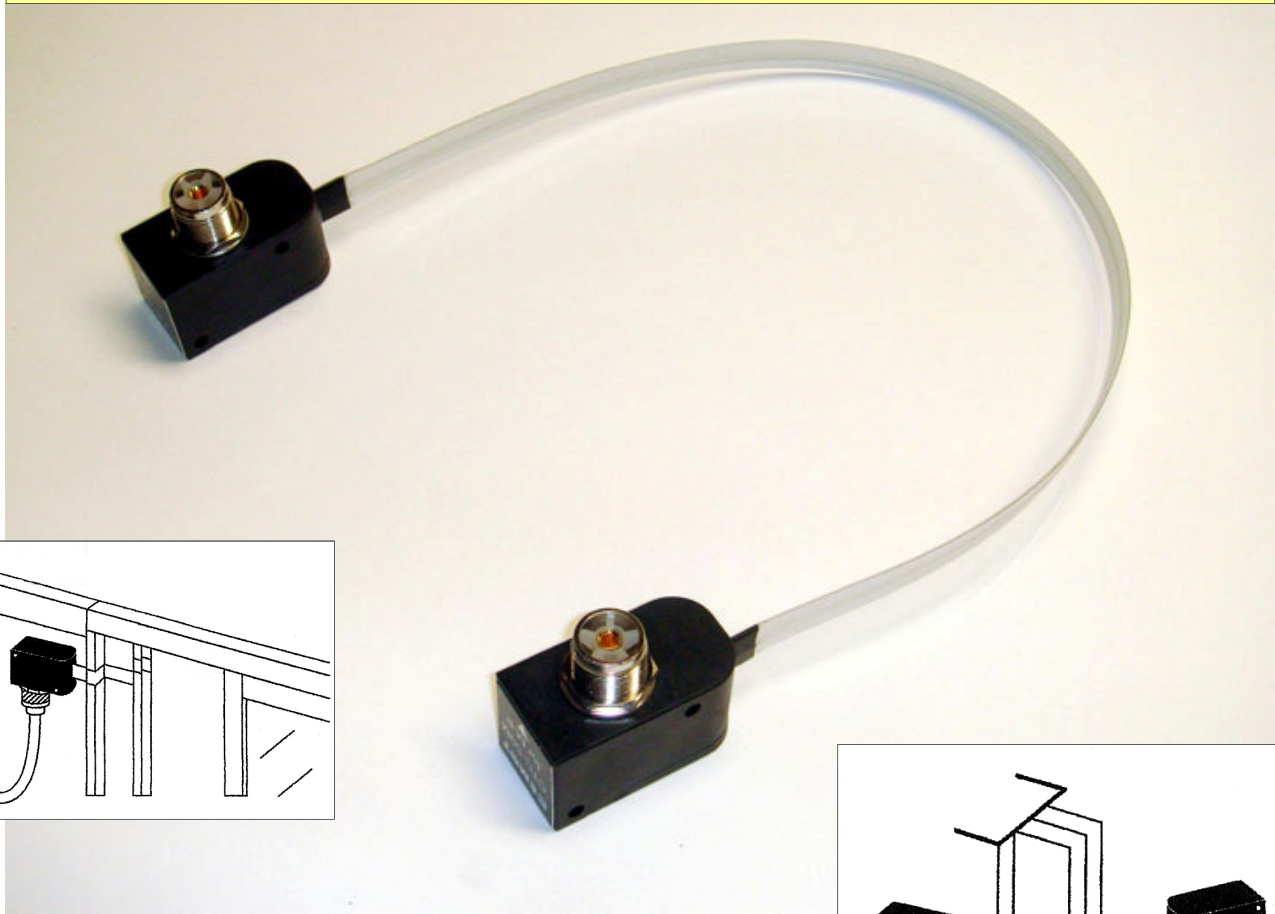




NEW PRODUCT!!

CTC-50M

Window Gap Jumper



Frequency Range: DC-1300MHz

Connectors: SO-239

Length: 15.75 inches

Max Power: HF 100W PEP

VHF: 60W FM

UHF: 40W FM

900MHz -1.3GHz: 10W FM

VSWR: <500MHz 1.3:1

>500MHz 1.5:1

Loss: DC-500MHz .5dB

500-900MHz 1.3dB

900-1300MHz 1.8dB

Impedance: 50 Ohm

NCG Company 800-962-2611

CTC-50M

INSTRUCTIONS

Features:

The CTC-50M avoids drilling holes through the wall to route coax indoors from an outside antenna

Low loss SO-239 connectors are used

Use any grade 50 Ohm impedance coax to attach to the CTC-50M

Installation:

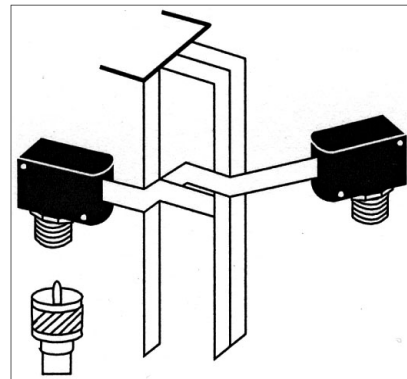
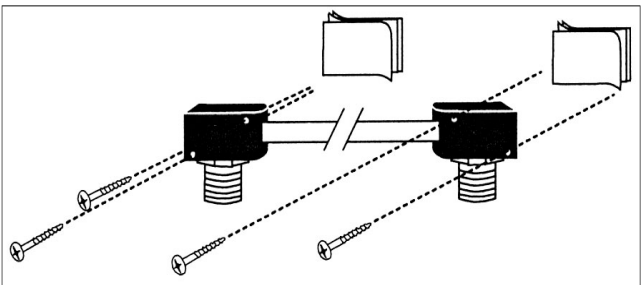
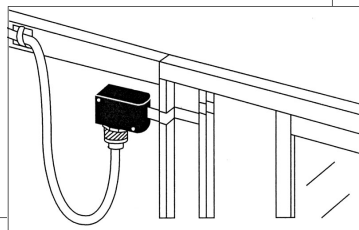
It is important to use the double-faced tape or the screws (or both) included with the CTC-50M to secure the jumper to the wall before use.

Clean the surface of dust, loose paint, etc... before using the tape.

Place the CTC-50M along the window frame and close the window before securing the CTC-50M in place with the tape and/or screws. Attaching the jumper and closing the window before confirming the window will close completely may damage the jumper.

Be sure to use PL-259 (Male UHF) connectors on your coax to screw into the SO-239 (Female UHF) connectors on the CTC-50M

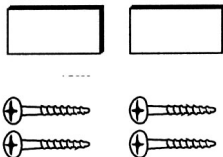
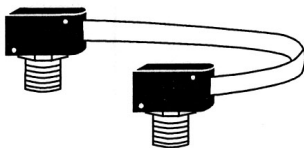
Attach your coax cable to the wall securely making sure to avoid any pressure on the CTC-50M jumper.



*****Warning*****

The copper-clad steel center core is highly resistant to metal fatigue but is not indestructible. Please use care when opening and closing the window or door where the CTC-50M is located.

Parts List:



Specifications:

Frequency: DC–1300MHz

Max Power: HF-50MHz 100W PEP

144MHz: 60W FM

440MHz: 40W FM

1200MHz: 10W FM

VSWR: < 500 MHz: Less than 1.3:1

> 500 MHz: Less than 1.5:1

Impedance: 50 Ohm

Insertion Loss: DC-500MHz Less than 0.5dB

500-900MHz Less than 1.3dB

900-1300MHz Less than 1.8dB

Connectors: SO-239 (Female UHF)

Cable Length: 16 inches (approx)



15036 Sierra Bonita Lane
Chino, CA 91710
800-962-2611
909-393-6133
Fax 909-393-6136